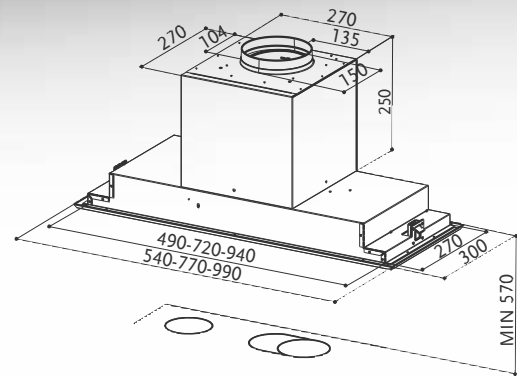


Versatile, slimline and powerful.



VICTORY 2.0

VICTORY 2.0 X A54 cod. 110.0357.399

VICTORY 2.0 X A77 cod. 110.0357.395

VICTORY 2.0 X A99 cod. 110.0357.341



(optional)

FEATURES	PERFORMANCES	ACCESSORIES
Finish · Stainless steel	Speed 1 2 3 INT	Cod. 112.0157.243
Controls Electronic LED	Air capacity IEC point 230 350 485 585	F9 Charcoal filter Cod. 112.0327.007
Lighting 2 LED lights (540-770 mm) 4 LED lights (990 mm)	Pressure 360 450 480 500	ENERGY Remote blower kit Cod. 112.0185.276
Grease filter Cassettes dishwasher safe	Input 135 170 215 250	FLL9 Charcoal filter Long Lasting
Ø of air outlet 150 / 120 mm	Noise level 50 61 67 70	
Width 540 / 770 / 990 mm	INSTALLATION REQUIREMENTS	
Energy class C	Max Load 254W	Max Width of Hob 60/80/100cm
	Min Height 57cm above a Gas Hob	50cm above an Electric Hob

*Air outlet adjustable in 4 positions