

## iQ300, Wall-mounted cooker hood, 60 cm, Stainless steel LC67BHM50B



B

Box design extractor hood with high extraction rate.

- ✓ LED lights: For optimal visibility and ambience when cooking.
- ✓ touchControl: quickly and easily manage the power levels and the LED light
- ✓ Fast-acting extraction for sudden bursts of steam - Intensive Setting
- ✓ Fast-acting extraction for sudden bursts of steam - Intensive Setting

### Features

#### Technical Data

Typology : Chimney  
 Approval certificates : CE, G-Mark, VDE  
 Length of electrical supply cord (cm) : 130  
 Height of the chimney (mm) : 583-912/583-1022  
 Height of product, without chimney (mm) : 53  
 Minimum distance above an electric hob : 550  
 Minimum distance above a gas hob : 650  
 Net weight (kg) : 11.932  
 Type of control : Electronic  
 Maximum output air extraction (m3/h) : 459  
 Boost position output recirculating (m3/h) : 379.0  
 Maximum output recirculating air (m3/h) : 321  
 Boost position air extraction (m³/h) : 752  
 Number of lights (Stck) : 2  
 Noise level (dB(A) re 1 pW) : 64  
 Diameter of air outlet (mm) : 120 / 150  
 Grease filter material : Washable stainless steel  
 EAN code : 4242003811115  
 Connection rating (W) : 255  
 Current (A) : 10  
 Voltage (V) : 220-240  
 Frequency (Hz) : 50; 60  
 Plug type : GB plug  
 Installation type : Wall-mounted



### Optional accessories

LZ50661 : Backboard 60 x 72 cm , LZ50660 : Backboard 60 x 65 cm , LZ31XXB16 : Clean Air Plus odor filter (replacement) , LZ12350 : Chimney extension 1500 mm , LZ12250 : Chimney extension 1000 mm , LZ11FXD51 : Long Life recirculation kit external , LZ11FXC56 : Clean Air Plus recirc. kit external , LZ11DXI16 : Clean Air Plus recirculation kit , LZ10FXJ00 : Long Life recirculation kit , LZ10DXU00 : Standard recirculation kit , LZ10DXA00 : Standard odor filter (replacement) , LZ00XXP00 : Long Life odor filter (replacement)



## iQ300, Wall-mounted cooker hood, 60 cm, Stainless steel LC67BHM50B

### Features

#### Key performance features:

- Energy Efficiency Class: B (at a range of energy efficiency classes from A+++ to D)
- Extraction rate according to EN 61591 ø 15 cm:
- max. Normal use 458 m<sup>3</sup>/h
- Intensive 752 m<sup>3</sup>/h
- Noise max. Normal Level: Noise, max. speed in normal us: 64 dB dB\*

#### Features

- touchControl for extractor speeds and light
- touchControl with Electronic display
- 3 x power levels plus intensive setting
- Twin channel high performance fan motor
- 2 x 1.5W LED
- Colour Temperature: 3500 K
- Automatic intensive revert (6mins)
- 2 x metal grease filter cassettes
- Steel filter cover
- For wall mounted installation

#### Design

- Chimney hood
- Electronic control

#### Performance/technical information

- Suitable for ducted and re-circulating operation
- For recirculated extraction a recirculating kit or a CleanAir recirculation kit (accessory) is needed
- Max. extraction rate: 752 m<sup>3</sup>/h
- Noise level according to EN 60704-3 and EN 60704-2-13 exhaust air:
- Max. normal use: 64 dB(A) re 1 pW
- Intensive: 73 dB(A) re 1 pW
- With the Clean Air Plus recirculation kit (available as optional accessory) your appliances reaches:
- Extraction rate in recirculation mode:
- Max. normal use: 404 m<sup>3</sup>/h
- Intensive: 499 m<sup>3</sup>/h
- Noise level in recirculation mode:
- Max. normal use: 72 dB(A) re 1 pW
- Intensive: 76 dB(A) re 1 pW
- Power rating: 255 W
- Light Intensity: 242 lux
- Electrical cable length 1.3 m
- Diameter pipe ø 150 mm (ø 120 mm enclosed)
- Dimensions exhaust air (HxWxD): 635-965 x 600 x 500 mm
- Dimensions recirculating, chimney (HxWxD): 635-1075 x 600 x 500 mm
- 
- Dimensions recirculating with CleanAir module (HxWxD):
- 703 x 600 x 500 mm - mounting with outer chimney
- 833-1163 x 600 x 500 mm - mounting with telescopic chimney
- Blower Efficiency Class: B\*
- Lighting Efficiency Class: A\*
- Grease Filtering Efficiency Class: B\*
- Average Energy Consumption: 60.3 kWh/year\*

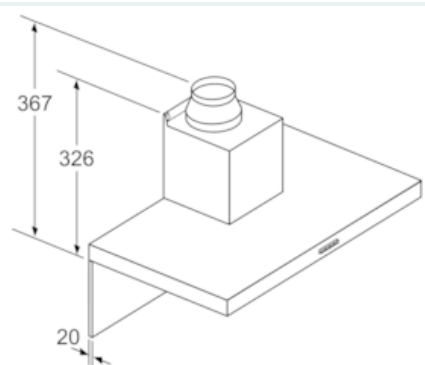
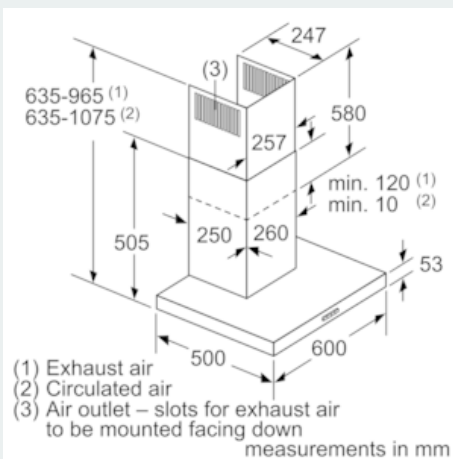
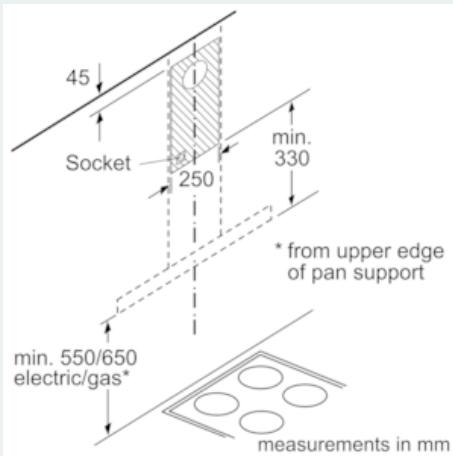
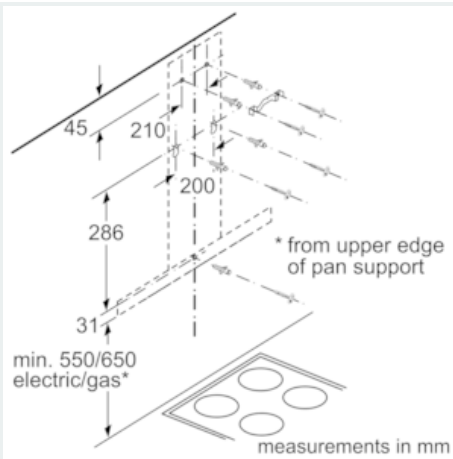
#### Optional accessories

- Recirculating kit LZ00XXP00

\* In accordance with the EU-Regulation No 65/2014

## iQ300, Wall-mounted cooker hood, 60 cm, Stainless steel LC67BHM50B

### Dimensioned drawings



If a back panel is used, the design of the appliance must be considered. measurements in mm